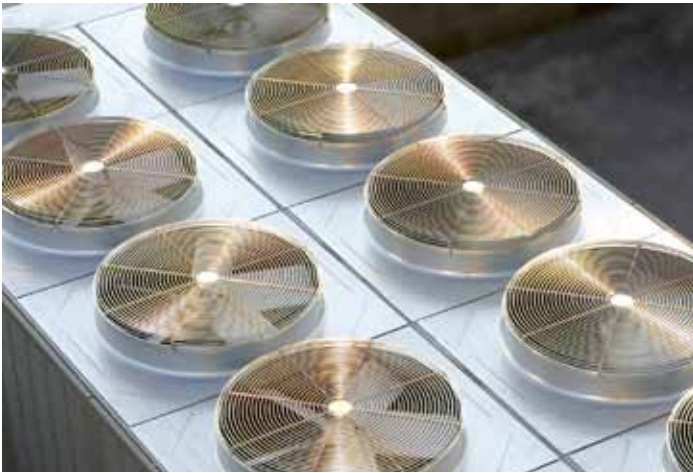


PRESSURE, VACUUM & DIFFERENTIAL PRESSURE



FEATURES

- Brass & Polysulfone® (FDA approved) Pressure Connections
- Compact Size
- Complies with Enclosure Type 4 with watertight conduit fitting
- Terminal block wiring
- Optional red status light
- Adjustable Ranges:

Pressure: 30" Hg Vac to 90 psi
(-1 to 6,2 bar)

Differential Pressure: 1 to 45 psid
(68,9 mbar to 3,1 bar)

OVERVIEW

The cost-effective 24 Series Delta-Pro™ pressure, vacuum, and differential pressure switches offer a unique blend of compact size, excellent performance, and environmental protection. Available with brass or polysulfone® pressure connections the Delta-Pro is ideal for applications involving hot or cool air, water or oil. The precision snap-acting switch and sensitive diaphragms combine to provide a narrow deadband and repeatability of approximately $\pm 1\%$ of full scale range. A convenient, externally accessible adjustment screw is multi-turn to provide easy set point adjustability. The force-balanced design gives the Delta-Pro excellent vibration resistance.

FEATURES

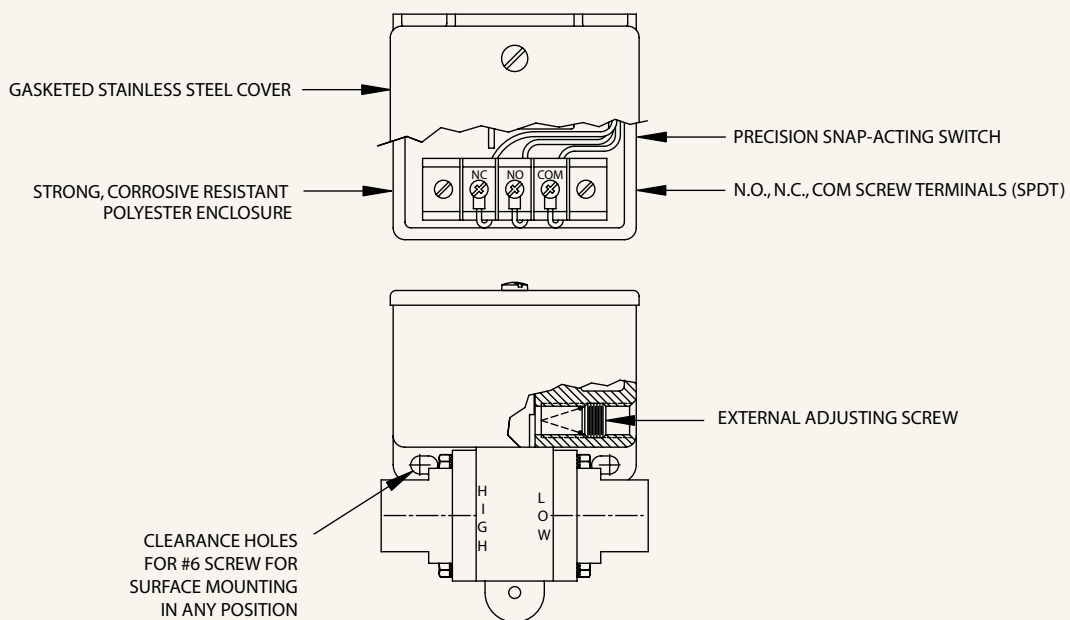
- UL listed and cUL certified. CE compliant to low voltage directive and pressure equipment directive
- Vacuum, Pressure or Differential pressure measurement
- 5 A @ 125/250 VAC SPDT snap-acting switch
- External stainless steel multi-turn adjusting screw
- OEM capabilities include external adjustment knob with or without reference scale



APPLICATIONS

Typical applications include filter monitoring and proof-of-flow.

TECHNOLOGY



The 24 Series (Delta Pro™) was designed to be a compact, cost-effective differential pressure switch for applications such as proof-of-flow, filter monitoring, etc. It depends upon two opposing diaphragms to sense pressure on the "High" and "Low" pressure outputs of a system. The resulting pressure differential is transmitted through a linkage to a snap-action electrical switch, providing an output when a pre-set difference is exceeded. This set point can be easily modified while under pressure via an external adjusting screw. This adjustment "pre-loads" the actuation mechanism, which results in excellent vibration-resistance. Straight pressure and vacuum versions, with a single diaphragm, are also available.



24 Series

24 Series

SPECIFICATIONS

STORAGE TEMPERATURE	-20° to 180°F (-29° to 82°C)
AMBIENT TEMPERATURE	30° to 160°F (-1° to 71°C). Set point typically shifts less than ±0.6% of range for a 50°F (28°C) ambient temperature change; consult factory for special ratings
MAX MEDIA TEMPERATURE	200°F (93°C) at 100 psi working pressure
SHOCK	Set point repeats after 15G, 10 millisecond duration
VIBRATION	Set point repeats after 2.5G, 5-500 Hz
ENCLOSURE CLASSIFICATION	Complies with enclosure type 4 requirements with optional water tight conduit connector. Reinforced polyester body, stainless steel cover with neoprene gasket.
SET POINT REPEATABILITY	Typically ± 1% of full scale range.
SWITCH OUTPUT	One SPDT precision snap-acting micro-switch with mechanical contact life of 10 million cycles. Actual life depends on electrical load and cycle frequency
ELECTRICAL RATING	Rated to 5 A resistive and 5 A inductive (75% PF) at 125 VAC and 250 VAC, 1/4 HP; 5 A resistive and 3 A inductive at 30 VDC and 0.5 A resistive and 0.25 inductive at 125 VDC. Gold clad silver contacts for minimum loads of 5 mA at 6 VDC, 2 mA at 12 VDC and 1 mA at 24 VDC
WEIGHT	6.5 oz.
ELECTRICAL CONNECTION	7/8" hole for optional 1/2" NPT conduit connector. Terminal block with screw terminals. Max wire size 16 AWG
PRESSURE CONNECTION	Models 013-014, 019-022: 1/4" NPT (female) brass; models 011-012, 015-018: 1/4" NPS (female) FDA approved* polysulfone®, non-tapered to minimize connection stress with 1/4" NPT (male) fittings - max torque is 2-ft.lbs.
MOUNTING & INSTALLATION	Surface mount with two screws through clearance holes, or mount by pressure connections

Polysulfone® is a registered trademark of Amoco

* The U.S. Food & Drug Administration has approved polysulfone resins as an approved substance for use as basic components of single and repeated use food contact surfaces.

APPROVALS



UNITED STATES AND CANADA

UL Listed, **cUL** Certified

Pressure: UL 508; CSA C22.2 No. 14, File #E42272



EUROPEAN UNION

Low Voltage Directive (LVD) 73/23/EC & 93/68/EEC

Compliant to LVD

Products rated lower than 50 VAC and 75 VDC are outside the scope of the LVD

The Low Voltage Directive does not apply to products for use in hazardous locations

Pressure Equipment Directive (PED) 97/23/EC

Pressure models only

Compliant to PED

Products rated below 7.5 psi are outside of the scope of the PED

DIFFERENTIAL PRESSURE MODEL CHART

Model	Adjustable Range		Typical Deadband		***Max. Working Pressure		**Proof Pressure	
	Low end of range of fall	High end of range on rise	psid	mbar	psi	bar	psi	bar
Polyurethane (polyether) diaphragm and polysulfone® 1/4" NPS (female) (mechanical) pressure connection								
011	1 to 10	68,9 mbar to 0,7	0.75	51,7	0 to 150	0 to 10,3	150	10,3
012	4 to 45	0,3 to 3,1	1	68,9	0 to 150	0 to 10,3	150	10,3
Polyurethane (polyether) diaphragm and brass 1/4" NPT (female) pressure connection								
013	1 to 10	68,9 mbar to 0,7	0.75	51,7	0 to 150	0 to 10	150	10,3
014	4 to 45	0,3 to 3,1	1	68,9	0 to 150	0 to 10	150	10,3

VAGUUM AND PRESSURE MODEL CHART

Model	Adjustable Range		Typical Deadband		*Over Range Pressure		**Proof Pressure	
	psi (unless noted)	bar (unless noted)	psi (unless noted)	mbar (unless noted)	psi	bar	psi	bar
Polyurethane (polyether) diaphragm and polysulfone®, 1/4" NPS (female) (mechanical) pressure connection								
015	30" to 2" Hg VAC	-1 bar to -68,9 mbar	2.5" Hg	84,7	150	10,3	150	10,3
016	1 to 10	68,9 mbar to 0,7	0.75	51,7	150	10,3	150	10,3
017	4 to 45	0,3 to 3,1	1	68,9	150	10,3	150	10,3
018	10 to 90	0,7 to 6,2	3	0,2 bar	150	10,3	150	10,3
Polyurethane (polyether) diaphragm and brass 1/4" NPT (female) pressure connection								
019	30" to 2" Hg VAC	-1 bar to -68,9 mbar	2.5" Hg	84,7	150	10,3	150	10,3
020	1 to 10	68,9 mbar to 0,7	0.75	51,7	150	10,3	150	10,3
021	4 to 45	0,3 to 3,1	1	68,9	150	10,3	150	10,3
022	10 to 90	0,7 to 6,2	3	0,2 bar	150	10,3	150	10,3

*Over Range Pressure: The maximum pressure that may be applied continuously without causing damage and maintaining set point repeatability.
 **Proof Pressure: The maximum pressure to which a pressure sensor may be occasionally subjected, which causes no permanent damage. The unit may require calibration (e.g. start-up, testing).
 ***Working Pressure: The pressure range within which two opposing sensors can be safely operated and still maintain set point adjustability provided the difference in pressure between them does not exceed the designated adjustable range.



HOW TO ORDER

Build a part number by selecting a model and options. Choose the Sensor Type and the Range from the Model Chart. If options are required, add the code from the option list below. Example: 24-013 * M900.

24 Select a Type	013 Select a Model	M900 Select an Option
24	013	M900

COMPONENTS CODE

DESCRIPTION

SERIES DESIGNATION

24 Designation for 24 Series product line

DIFFERENTIAL PRESSURE MODELS *

011, 012 Polyurethane (polyether) diaphragm and 1/4" NPS (female) (mechanical) polysulfone® pressure connection

013, 014 Polyurethane (polyether) diaphragm and 1/4" NPT (female) brass pressure connection

*(See Model Chart for Differential Pressure Ranges)

VACUUM AND PRESSURE MODELS *

015, 016, 017, 018 Polyurethane (polyether) diaphragm and 1/4" NPS (female) (mechanical) polysulfone pressure connection

019, 020, 021, 022 Polyurethane (polyether) diaphragm and 1/4" NPT (female) brass pressure connection

*(See Model Chart for Pressure Ranges)

OPTIONS

M020 Red status light, 115 VAC only. Specify whether light turns on or off with increasing or decreasing pressure

M201 Factory set one switch; specify increasing or decreasing pressure and set point

M260 Self-contained battery-operated audible alarm

M262 Buna-N diaphragm

M277 Range indicated on nameplate in kPa or MPa

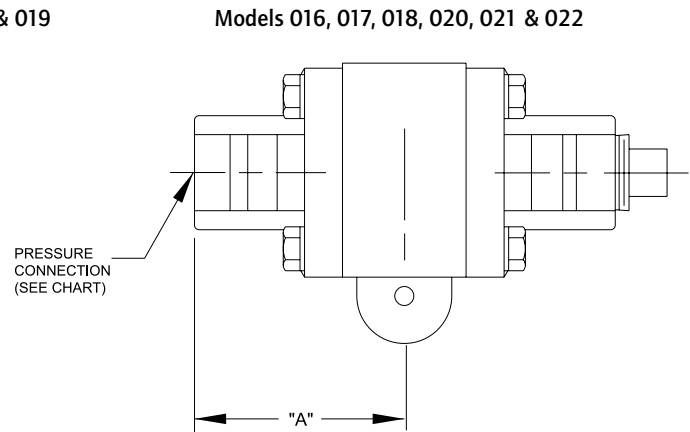
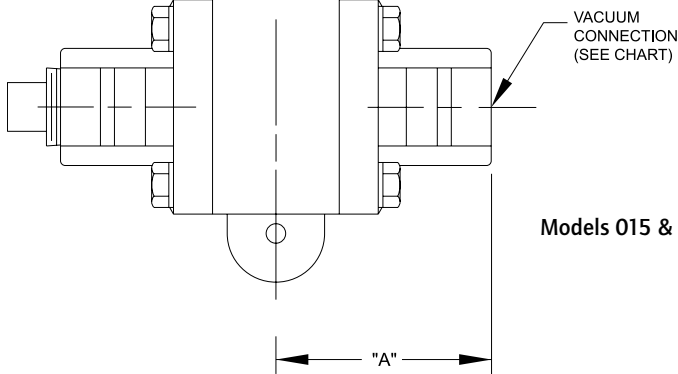
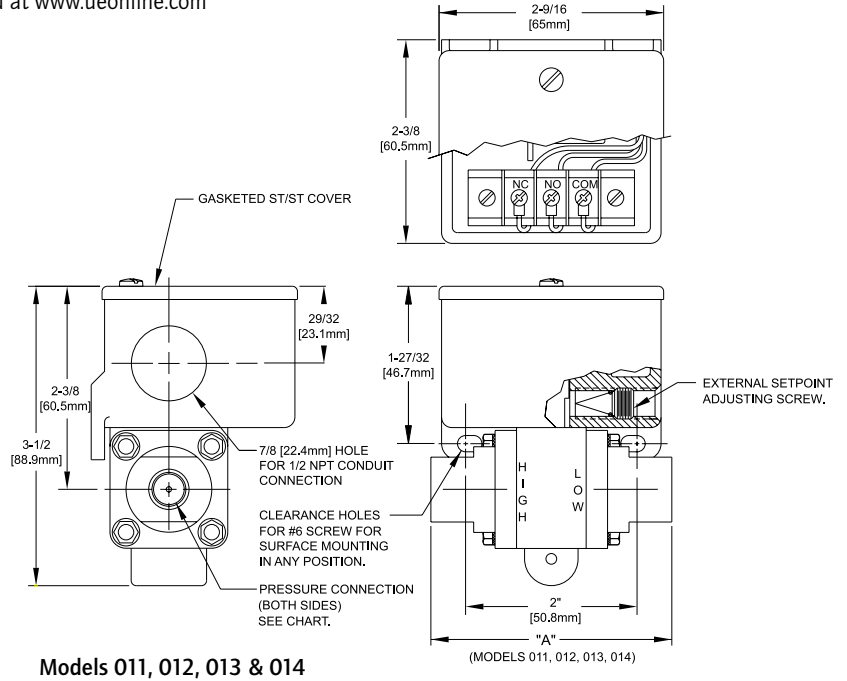
M278 Range indicated on nameplate in Kg/cm²

M540 Viton® construction (deadbands and low end of range may increase slightly. Consult factory.) Wetted parts include Viton® diaphragm plus standard connection material.

M900 Water tight conduit fitting; converts 7/8" hole to 1/2" NPT fitting; must specify for Enclosure Type 4 compliance

DIMENSIONAL DRAWINGS

Dimensional drawings for all models may be found at www.ueonline.com
 All dimensions stated in inches (millimeters)



Model	DIMENSION A	Pressure Connection
011, 012	2.75" (69.9 mm)	1/4" NPS (F) Polysulfone
013, 014	3.13" (79.5 mm)	1/4" NPT (F) Brass
015, 016, 017, 018	1.44" (36.6 mm)	1/4" NPS (F) Polysulfone
019, 020, 021, 022	1.56" (39.6 mm)	1/4" NPT (F) Brass

RECOMMENDED PRACTICES AND WARNINGS

United Electric Controls Company recommends careful consideration of the following factors when specifying and installing UE pressure and temperature units. Before installing a unit, the Installation and Maintenance instructions provided with unit must be read and understood.

- To avoid damaging unit, proof pressure and maximum temperature limits stated in literature and on nameplates must never be exceeded, even by surges in the system. Operation of the unit up to maximum pressure or temperature is acceptable on a limited basis (e.g., start-up, testing) but continuous operation must be restricted to the designated adjustable range. Excessive cycling at maximum pressure or temperature limits could reduce sensor life.
- A back-up unit is necessary for applications where damage to a primary unit could endanger life, limb or property. A high or low limit switch is necessary for applications where a dangerous runaway condition could result.
- The adjustable range must be selected so that incorrect, inadvertent or malicious setting at any range point cannot result in an unsafe system condition.
- Install unit where shock, vibration and ambient temperature fluctuations will not damage unit or affect operation. When applicable, orient unit so that moisture does not enter the enclosure via the electrical connection. When appropriate, this entry point should be sealed to prevent moisture entry.
- Unit must not be altered or modified after shipment. Consult UE if modification is necessary.
- Monitor operation to observe warning signs of possible damage to unit, such as drift in set point or faulty display. Check unit immediately.
- Preventative maintenance and periodic testing is necessary for critical applications where damage could endanger property or personnel.
- Electrical ratings stated in literature and on nameplate must not be exceeded. Overload on a switch can cause damage, even on the first cycle. Wire unit according to local and national electrical codes, using wire size recommended in installation sheet.
- Do not mount unit in ambient temp. exceeding published limits.

LIMITED WARRANTY

Seller warrants that the product hereby purchased is, upon delivery, free from defects in material and workmanship and that any such product which is found to be defective in such workmanship or material will be repaired or replaced by Seller (Ex-works, Factory, Watertown, Massachusetts. INCOTERMS); provided, however, that this warranty applies only to equipment found to be so defective within a period of 24 months from the date of manufacture by the Seller. Seller shall not be obligated under this warranty for alleged defects which examination discloses are due to tampering, misuse, neglect, improper storage, and in any case where products are disassembled by anyone other than authorized Seller's representatives. EXCEPT FOR THE LIMITED WARRANTY OF REPAIR AND REPLACEMENT STATED ABOVE, SELLER DISCLAIMS ALL WARRANTIES WHATSOEVER WITH RESPECT TO THE PRODUCT, INCLUDING ALL IMPLIED WARRANTIES OF MERCHANTABILITY OR FITNESS FOR ANY PARTICULAR PURPOSE.

LIMITATION OF SELLER'S LIABILITY

SELLER'S LIABILITY TO BUYER FOR ANY LOSS OR CLAIM, INCLUDING LIABILITY INCURRED IN CONNECTION WITH (I) BREACH OF ANY WARRANTY WHATSOEVER, EXPRESSED OR IMPLIED, (II) A BREACH OF CONTRACT, (III) A NEGLIGENT ACT OR ACTS (OR NEGLIGENT FAILURE TO ACT) COMMITTED BY SELLER, OR (IV) AN ACT FOR WHICH STRICT LIABILITY WILL BE INPUTTED TO SELLER, IS LIMITED TO THE "LIMITED WARRANTY" OF REPAIR AND/OR REPLACEMENT AS SO STATED IN OUR WARRANTY OF PRODUCT. IN NO EVENT SHALL THE SELLER BE LIABLE FOR ANY SPECIAL, INDIRECT, CONSEQUENTIAL OR OTHER DAMAGES OF A LIKE GENERAL NATURE, INCLUDING, WITHOUT LIMITATION, LOSS OF PROFITS OR PRODUCTION, OR LOSS OR EXPENSES OF ANY NATURE INCURRED BY THE BUYER OR ANY THIRD PARTY.

UE specifications subject to change without notice.

U.S. SALES OFFICES

United Electric Controls
31 Old Stage Road
Hampton Falls, NH 03844
Phone: 617-899-1132
email: northeastsales@ueonline.com

United Electric Controls
28 N. Wise Ave.
Freeport, IL 61032
Phone: 815-341-2588
email: midwestsales@ueonline.com

United Electric Controls
1022 Vineyard Drive
Conyers, GA 30013
Phone: 770-335-9802
email: southeastsales@ueonline.com

United Electric Controls
5829 Grazing Court
Mason, OH 45040
Phone: 513-535-5486
email: midatlanticsales@ueonline.com

United Electric Controls
102 Salazar Court
Clayton, CA 94517
Phone: 925-408-5997
email: westcoastsales@ueonline.com

United Electric Controls
27 Summit Terrace
Sparta, NJ 07871
Phone: 973-271-2550
email: easternsales@ueonline.com

United Electric Controls
4306 Whickham Drive
Fulshear, TX 77441
Phone: 832-457-6138
email: southwestsales@ueonline.com

CANADA

EASTERN
68 Mosley Crescent
Brampton, Ontario
Canada L6Y 5C8
Phone: 905-455-5131
FAX: 905-455-5131

WESTERN
148 Silver Ridge Close N.W.
Calgary, Alberta
Canada T3B 3T4
Phone: 403-247-3724
FAX: 403-247-3724

INTERNATIONAL OFFICES

CHINA
United Electric Controls, *Shanghai Office*
Room 1011, 10th Flr,
Huai Hai Zhonghua Building
No. 885, Renmin Road, Luwan District
Shanghai 200010, P.R. China
Phone: +8621-6255 8059
email: chinasales@ueonline.com

United Electric Controls, *Beijing Office*
Room 1006, Jainhao International Bldg.
Block D, No. 116
Zizhuyuanlu, Haidian District
Beijing, China 100089
Phone: +86-10-5893-0518
email: beijingsales@ueonline.com

EASTERN EUROPE & SCANDINAVIA
United Electric Controls
05-806 Komorow
Kujawska 5, Poland
Phone: +48 22 499 4804
email: easterneuropesales@ueonline.com

GERMANY

United Electric Controls
An Der Zentlinde 21
D-64711 Erbach, Germany
Phone: 496-062-7400
email: europesales@ueonline.com

INDIA

United Electric Controls
House no. 7, Kamalkunj Society
Nizampura,
Baraoda (Gujarat), India
Phone: +91 (-265) -2788654
email: indiasales@ueonline.com

ASIA-PACIFIC

United Electric Controls, Far East
No. 1-2-2, 2nd Floor
Jalan 4/101C
Cheras Business Centre
Batu 5, Jalan Cheras
56100 Kuala Lumpur, Malaysia
Phone: 603-9133-4122
email: fareastsales@ueonline.com

MEXICO

United Electric Controls
Zacatecas # 206, Suite 20
Col Guadalupe CP 89120
Tampico, Tamaulipas Mexico
Phone: 833-217-5201
email: latinamericasales@ueonline.com

RUSSIA

United Electric Controls, Moscow
Elninskaya str., 15-140
Moscow, 121552, Russia
Phone: +7 (495) 792-88-06
email: russiansales@ueonline.com



UNITED ELECTRIC
CONTROLS

180 Dexter Avenue, P.O. Box 9143
Watertown, MA 02471-9143 USA
Telephone: 617 926-1000 Fax: 617 926-2568
<http://www.ueonline.com>