

SKELETON PRESSURE AND VACUUM SWITCHES



FEATURES

- Sealed Metal Bellows Sensor
- Brass or Phosphor Bronze Wetted Material
- Small Size
- 15 A SPDT Switch Output
- Easy to Wire Screw Terminals
- Adjustable Ranges from 30" Hg Vac to 300 psi (-1 to 20,7 bar)

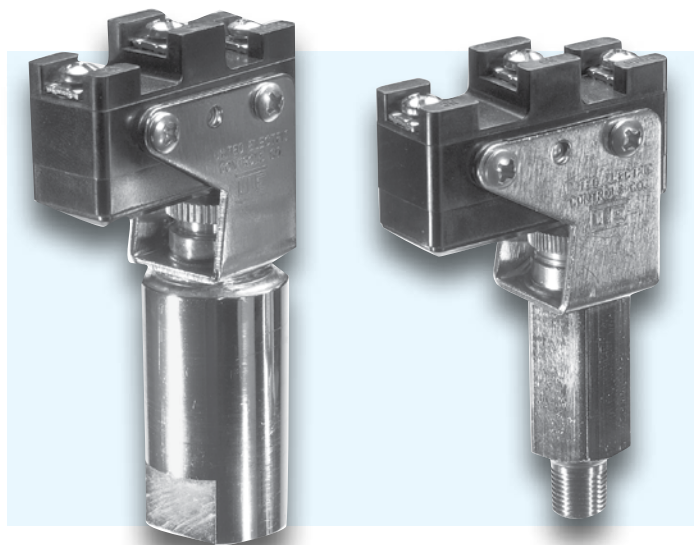


OVERVIEW

The J40 can be utilized in OEM applications where compact size and performance are required. The sealed bellows sensor provides a "leak-free" sensor for applications where elastomers are unacceptable. Proven reliability involving sterilizers, plasma-cutting, anesthesia equipment, and even protective switching devices for power equipment, have made the J40 a versatile OEM pressure switch.

FEATURES

- Sealed metal bellows sensor
- Brass or phosphor bronze wetted material
- Compact size
- Easy external adjustment
- Optional adjustable deadband switch
- UL recognized for the US and Canada; CE compliant to LVD & PED



Optional Hex bellows housing

SPECIFICATIONS

STORAGE TEMPERATURE	-65 to 160°F (-54 to 71°C)
AMBIENT TEMPERATURE LIMITS	-40 to 160°F (-40 to 71°C)
SHOCK	Set point repeats after 15 G, 10 millisecond duration
VIBRATION	Set point repeats after 2.5 G, 5-500 CPS
ENCLOSURE CLASSIFICATION	Not applicable
SET POINT REPEATABILITY	± 1% of full scale range
SWITCH OUTPUT	One SPDT; switch may be wired "normally open" or "normally closed"
ELECTRICAL RATING	15 A 125/250 VAC resistive. Electrical switches have limited DC capabilities. Consult UE for additional information.
ENCLOSURE	Skeleton construction
WEIGHT	Approx. 4 oz.
ELECTRICAL CONNECTION	Direct to switch terminals
PRESSURE CONNECTION	Models 218-230: 1/4" NPT (female); Models 256-274: 1/8" NPT (male)
MOUNTING	Via NPT pressure connection

APPROVALS



UNITED STATES AND CANADA
UL Recognized, cUL Recognized
 UL 508; CSA C22.2 No. 14, file #E42272



EUROPE
Low Voltage Directive (LVD) (73/23/ED & 93/68/EEC)
 UEC Compliant to LVD
 Products rated lower than 50 VAC and 75 VDC are outside of the scope of the LVD

Pressure Equipment Directive (PED) (97/23/EC)
 Compliant to PED
 Products rated below 7.5 psi are outside of the scope of the PED



MODEL CHART

Model	Adjustable Set Point Range		Deadband		* Proof Pressure	
	psi (unless noted)	bar	psi (unless noted)	bar (unless noted)	psi	bar
Phosphor bronze bellows with brass 1/8" NPT (male) pressure connection						
256	0 to 30	0 to 2,1	1.5 to 2.5	0,1 to 0,2	45	3,1
260	0 to 60	0 to 4,1	1.5 to 4	0,1 to 0,3	90	6,2
262	0 to 90	0 to 6,2	1.5 to 4	0,1 to 0,3	135	9,3
266	0 to 100	0 to 6,9	2 to 4	0,1 to 0,3	150	10,3
271	0 to 240	0 to 16,5	2 to 6	0,1 to 0,4	330	22,8
274	0 to 300	0 to 20,7	4 to 6	0,3 to 0,4	350	24,1
Phosphor bronze bellows with brass 1/4" NPT (female) pressure connection						
218	30" Hg Vac to 0	-1 to 0	1 to 2.5" Hg Vac	33,9 to 84,7 mbar	5	0,3
222	0 to 20	0 to 1,4	0.2 to 1.3	13,8 to 89,6 mbar	30	2,1
224	0 to 30	0 to 2,1	0.2 to 1.3	13,8 to 89,6 mbar	45	3,1
226	0 to 50	0 to 3,4	0.2 to 1.3	13,8 to 89,6 mbar	75	5,2
230	0 to 100	0 to 6,9	1 to 2.3	0,1 to 0,2	110	7,6

* Proof Pressure: The maximum pressure to which a pressure sensor may be occasionally subjected, which causes no permanent damage. The unit may require calibration (e.g. start-up, testing).

HOW TO ORDER

BUILDING A PART NUMBER

Select a **Type**

Refer to the "Type" section below.
 Determine type number based on switch output, enclosure, adjustment and reference.
 Fill in the type portion of your part number with the corresponding number.

Select a **Model**

Refer to the "Model Charts"
 Determine model based on adjustable range, deadband and proof pressure.
 Fill in the model portion of your part number with the corresponding number.

Select an **Option**

Refer to the "Options" section
 Determine option number based on switch output, optional materials or other product enhancements.
 Fill in the option portion of your part number with the corresponding number. Leave "option" portion blank if no options are needed.
 FOR MULTIPLE OPTIONS: Call United Electric Controls.

TYPE	DESCRIPTION
J40	One SPDT output; skeleton open frame construction; external adjustment with no reference dial

SWITCH OPTIONS*

0140	Gold contacts, 1 A 125 VAC resistive
0500	Close deadband, 5 A 125/250 VAC resistive
1070	10 A 125 VDC or VAC resistive; deadband and minimum set point will increase; consult factory for information
1520	Adjustable deadband, 15 A 125/250/277 VAC resistive. Adjustable wheel changes rise setting only. If adjustment of fall setting is required, use primary adjustment
1535	High ambient, 15 A 125/250 VAC resistive; temperatures up to 250°F (121 °C)

GENERAL

M201	Factory set one switch; specify set point on increasing or decreasing pressure
M444	Paper ID tag
M446	Stainless steel ID tag and wire attachment
M514	Hex bellows housing. NOT AVAILABLE ON MODELS 218-230
M550	Oxygen service cleaning; alcohol cleaning to remove residue from the process connection.

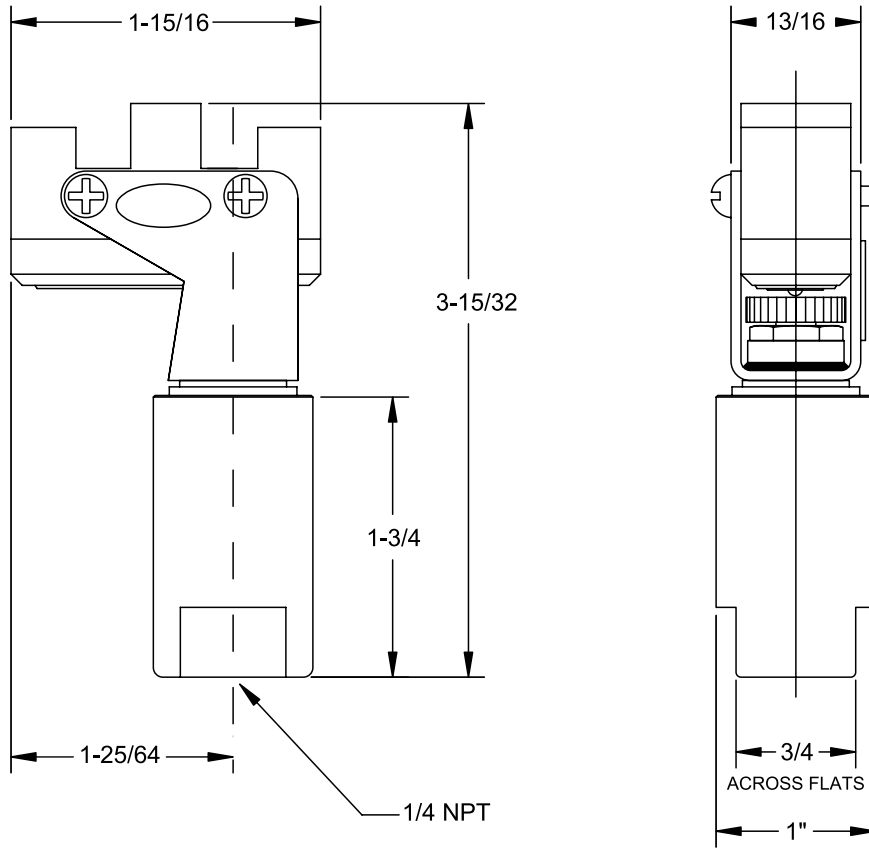
** All switches have limited DC capabilities. Consult factory for details.*



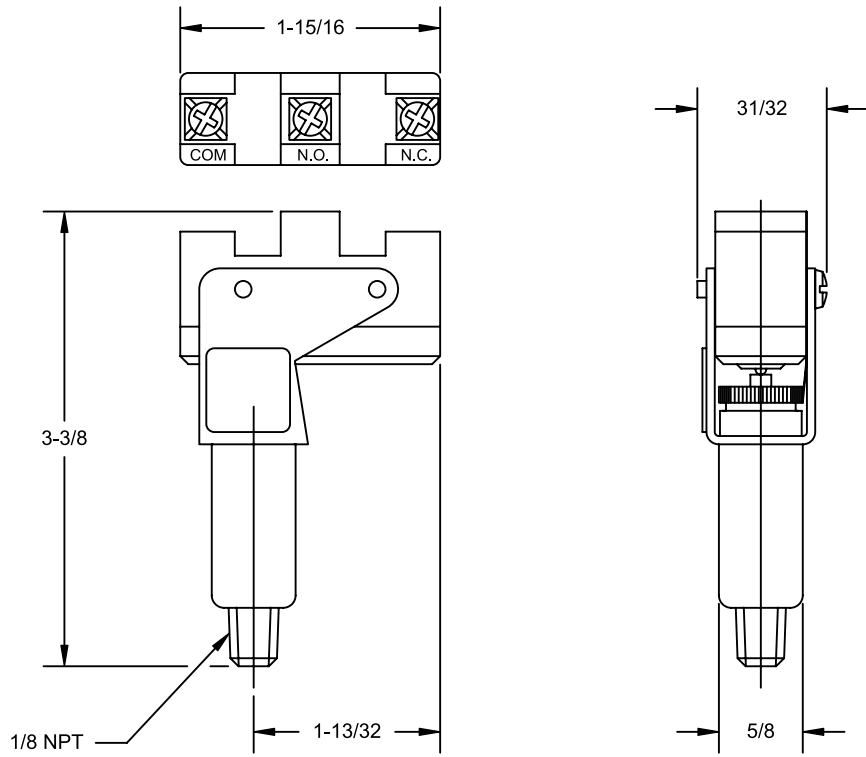
DIMENSIONAL DRAWINGS

Dimensional drawings for all models may be found at www.ueonline.com

Type J40, Models 218-230



Type J40, Models 256-274



RECOMMENDED PRACTICES AND WARNINGS

United Electric Controls Company recommends careful consideration of the following factors when specifying and installing UE pressure and temperature units. Before installing a unit, the Installation and Maintenance instructions provided with unit must be read and understood.

- To avoid damaging unit, proof pressure and maximum temperature limits stated in literature and on nameplates must never be exceeded, even by surges in the system. Operation of the unit up to maximum pressure or temperature is acceptable on a limited basis (e.g., start-up, testing) but continuous operation must be restricted to the designated adjustable range. Excessive cycling at maximum pressure or temperature limits could reduce sensor life.
- A back-up unit is necessary for applications where damage to a primary unit could endanger life, limb or property. A high or low limit switch is necessary for applications where a dangerous runaway condition could result.
- The adjustable range must be selected so that incorrect, inadvertent or malicious setting at any range point cannot result in an unsafe system condition.
- Install unit where shock, vibration and ambient temperature fluctuations will not damage unit or affect operation. When applicable, orient unit so that moisture does not enter the enclosure via the electrical connection. When appropriate, this entry point should be sealed to prevent moisture entry.
- Unit must not be altered or modified after shipment. Consult UE if modification is necessary.
- Monitor operation to observe warning signs of possible damage to unit, such as drift in set point or faulty display. Check unit immediately.
- Preventative maintenance and periodic testing is necessary for critical applications where damage could endanger property or personnel.
- Electrical ratings stated in literature and on nameplate must not be exceeded. Overload on a switch can cause damage, even on the first cycle. Wire unit according to local and national electrical codes, using wire size recommended in installation sheet.
- Do not mount unit in ambient temp. exceeding published limits.

LIMITED WARRANTY

Seller warrants that the product hereby purchased is, upon delivery, free from defects in material and workmanship and that any such product which is found to be defective in such workmanship or material will be repaired or replaced by Seller (Ex-works, Factory, Watertown, Massachusetts. INCOTERMS); provided, however, that this warranty applies only to equipment found to be so defective within a period of 24 months from the date of manufacture by the Seller. Seller shall not be obligated under this warranty for alleged defects which examination discloses are due to tampering, misuse, neglect, improper storage, and in any case where products are disassembled by anyone other than authorized Seller's representatives. EXCEPT FOR THE LIMITED WARRANTY OF REPAIR AND REPLACEMENT STATED ABOVE, SELLER DISCLAIMS ALL WARRANTIES WHATSOEVER WITH RESPECT TO THE PRODUCT, INCLUDING ALL IMPLIED WARRANTIES OF MERCHANTABILITY OR FITNESS FOR ANY PARTICULAR PURPOSE.

LIMITATION OF SELLER'S LIABILITY

SELLER'S LIABILITY TO BUYER FOR ANY LOSS OR CLAIM, INCLUDING LIABILITY INCURRED IN CONNECTION WITH (I) BREACH OF ANY WARRANTY WHATSOEVER, EXPRESSED OR IMPLIED, (II) A BREACH OF CONTRACT, (III) A NEGLIGENT ACT OR ACTS (OR NEGLIGENT FAILURE TO ACT) COMMITTED BY SELLER, OR (IV) AN ACT FOR WHICH STRICT LIABILITY WILL BE INPUTTED TO SELLER, IS LIMITED TO THE "LIMITED WARRANTY" OF REPAIR AND/OR REPLACEMENT AS SO STATED IN OUR WARRANTY OF PRODUCT. IN NO EVENT SHALL THE SELLER BE LIABLE FOR ANY SPECIAL, INDIRECT, CONSEQUENTIAL OR OTHER DAMAGES OF A LIKE GENERAL NATURE, INCLUDING, WITHOUT LIMITATION, LOSS OF PROFITS OR PRODUCTION, OR LOSS OR EXPENSES OF ANY NATURE INCURRED BY THE BUYER OR ANY THIRD PARTY.

UE specifications subject to change without notice.

U.S. SALES OFFICES

United Electric Controls
31 Old Stage Road
Hampton Falls, NH 03844
Phone: 617-899-1132
email: northeastsales@ueonline.com

United Electric Controls
28 N. Wise Ave.
Freeport, IL 61032
Phone: 815-341-2588
email: midwestsales@ueonline.com

United Electric Controls
1022 Vineyard Drive
Conyers, GA 30013
Phone: 770-335-9802
email: southeastsales@ueonline.com

United Electric Controls
5829 Grazing Court
Mason, OH 45040
Phone: 513-535-5486
email: midatlanticsales@ueonline.com

United Electric Controls
102 Salazar Court
Clayton, CA 94517
Phone: 925-408-5997
email: westcoastsales@ueonline.com

United Electric Controls
27 Summit Terrace
Sparta, NJ 07871
Phone: 973-271-2550
email: easternsales@ueonline.com

United Electric Controls
4306 Whickham Drive
Fulshear, TX 77441
Phone: 832-457-6138
email: southwestsales@ueonline.com

CANADA

EASTERN
68 Mosley Crescent
Brampton, Ontario
Canada L6Y 5C8
Phone: 905-455-5131
FAX: 905-455-5131

WESTERN
148 Silver Ridge Close N.W.
Calgary, Alberta
Canada T3B 3T4
Phone: 403-247-3724
FAX: 403-247-3724

INTERNATIONAL OFFICES

CHINA
United Electric Controls, *Shanghai Office*
Room 1011, 10th Flr,
Huai Hai Zhonghua Building
No. 885, Renmin Road, Luwan District
Shanghai 200010, P.R. China
Phone: +8621-6255 8059
email: chinasales@ueonline.com

United Electric Controls, *Beijing Office*
Room 1006, Jainhao International Bldg.
Block D, No. 116
Zizhuyuanlu, Haidian District
Beijing, China 100089
Phone: +86-10-5893-0518
email: beijingsales@ueonline.com

EASTERN EUROPE & SCANDINAVIA

United Electric Controls
05-806 Komorow
Kujawska 5, Poland
Phone: +48 22 499 4804
email: easterneuropesales@ueonline.com

GERMANY

United Electric Controls
An Der Zentlinde 21
D-64711 Erbach, Germany
Phone: 496-062-7400
email: europesales@ueonline.com

INDIA

United Electric Controls
House no. 7, Kamalkunj Society
Nizampura,
Baraoda (Gujarat), India
Phone: +91 (-265) -2788654
email: indiasales@ueonline.com

ASIA-PACIFIC

United Electric Controls, Far East
No. 1-2-2, 2nd Floor
Jalan 4/101C
Cheras Business Centre
Batu 5, Jalan Cheras
56100 Kuala Lumpur, Malaysia
Phone: 603-9133-4122
email: fareastsales@ueonline.com

MEXICO

United Electric Controls
Zacatecas # 206, Suite 20
Col Guadalupe CP 89120
Tampico, Tamaulipas Mexico
Phone: 833-217-5201
email: latinamericasales@ueonline.com

RUSSIA

United Electric Controls, Moscow
Elninskaya str., 15-140
Moscow, 121552, Russia
Phone: +7 (495) 792-88-06
email: russiansales@ueonline.com



UNITED ELECTRIC
CONTROLS

180 Dexter Avenue, P.O. Box 9143
Watertown, MA 02471-9143 USA
Telephone: 617 926-1000 Fax: 617 926-2568
<http://www.ueonline.com>