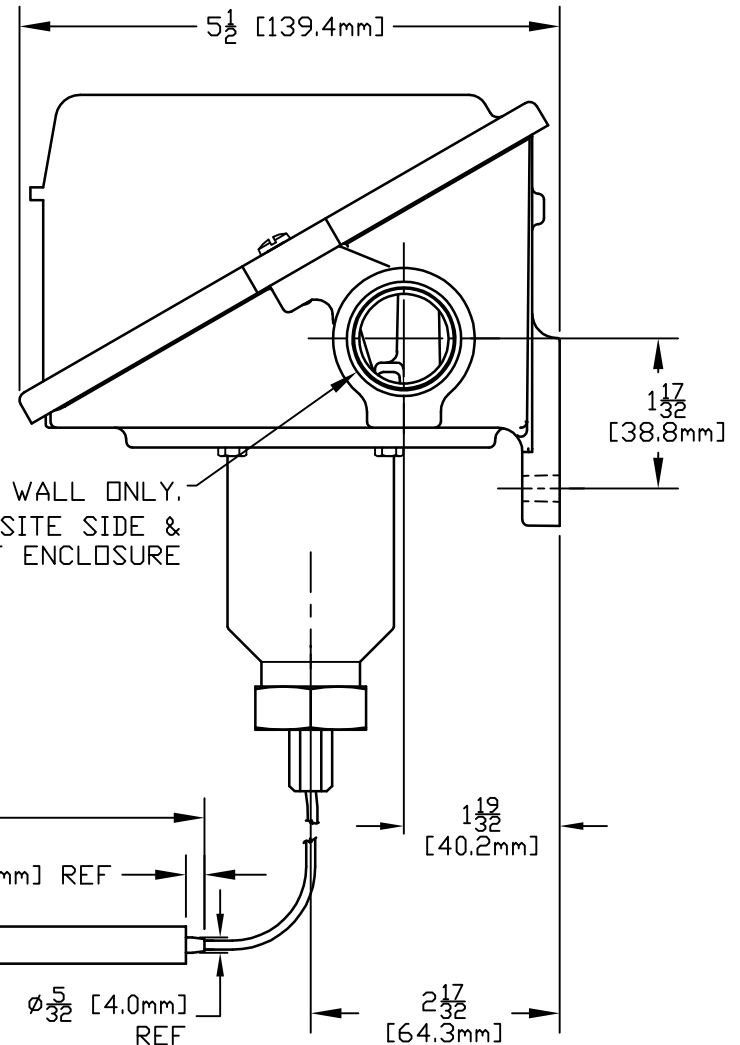
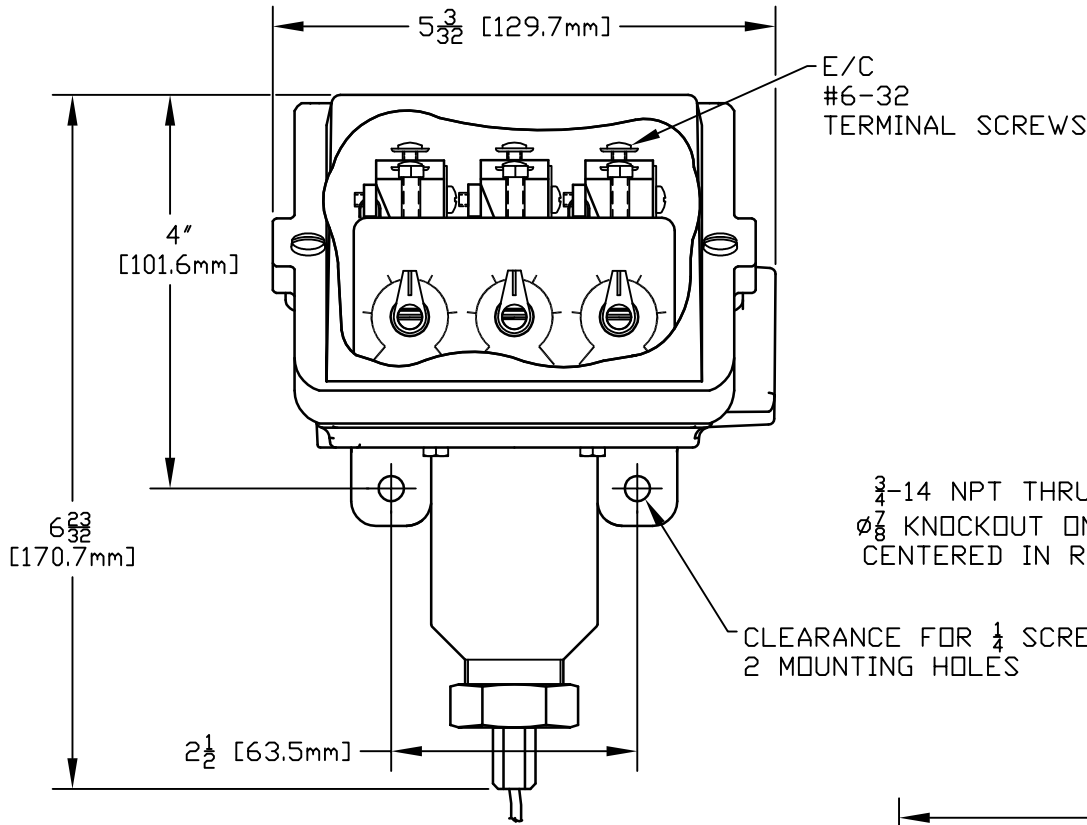


UL RECOGNIZED COMPONENT,  
 CUL CERTIFIED, NEMA 4.  
 I & M SHEET IMT400.  
 FM APPROVAL



8BS	350 TO 640	175 TO 335	3.250	82.55
5BS	-20 TO 80	-30 TO 25	5.000	127.00
4BS	25 TO 100	-5 TO 35	6.750	171.45
3BS	100 TO 400	35 TO 200	2.125	53.98
2BSB	30 TO 250	0 TO 120	2.625	66.68
2BSA	-120 TO 100	-85 TO 35	2.625	66.68
MODEL NO.	°F	°C	IN.	mm
	ADJUSTABLE RANGE		DIM. "A"	

\* USE DIMENSION "A" FOR SEPARABLE WELL INSTALLATIONS.

V	ADDED 3/16 & 5/32 DIMS TO BULB. ADDED NOTE: USE DIM. "A" FOR SEPARABLE WELL INSTALLATION. CUL CERT. WAS CSA. ECN#E3315	10-2-09	SR	RAM
U	REDRAWN, UPDATED ENCLOSURE. ECN#E0821	6-28-04	S.R.	HN
SYM	DESCRIPTION	DATE	DWN	APPD
REVISIONS				

ORIGINAL DATE	11-5-86
DRWN	A. EBALO
CHKD	A.J. FLECCA
APPD	L. KHATCHADOURIAN
UNLESS OTHERWISE SPECIFIED DIMENSIONS ARE IN INCHES	
DO NOT SCALE THIS DRAWING	

TITLE	E403 2-A, 2-B, 3 TO 5 & 8
SCALE	1:2

DF001D

UNITED ELECTRIC  
 CONTROLS COMPANY  
 WATERTOWN \* MASSACHUSETTS

DWG NO  
 A-12367