

SPECIFICATIONS:

(SPECIFICATIONS AT 25°C (77°F) AND NOMINAL VOLTAGE UNLESS OTHERWISE NOTED.)

MECHANICAL:

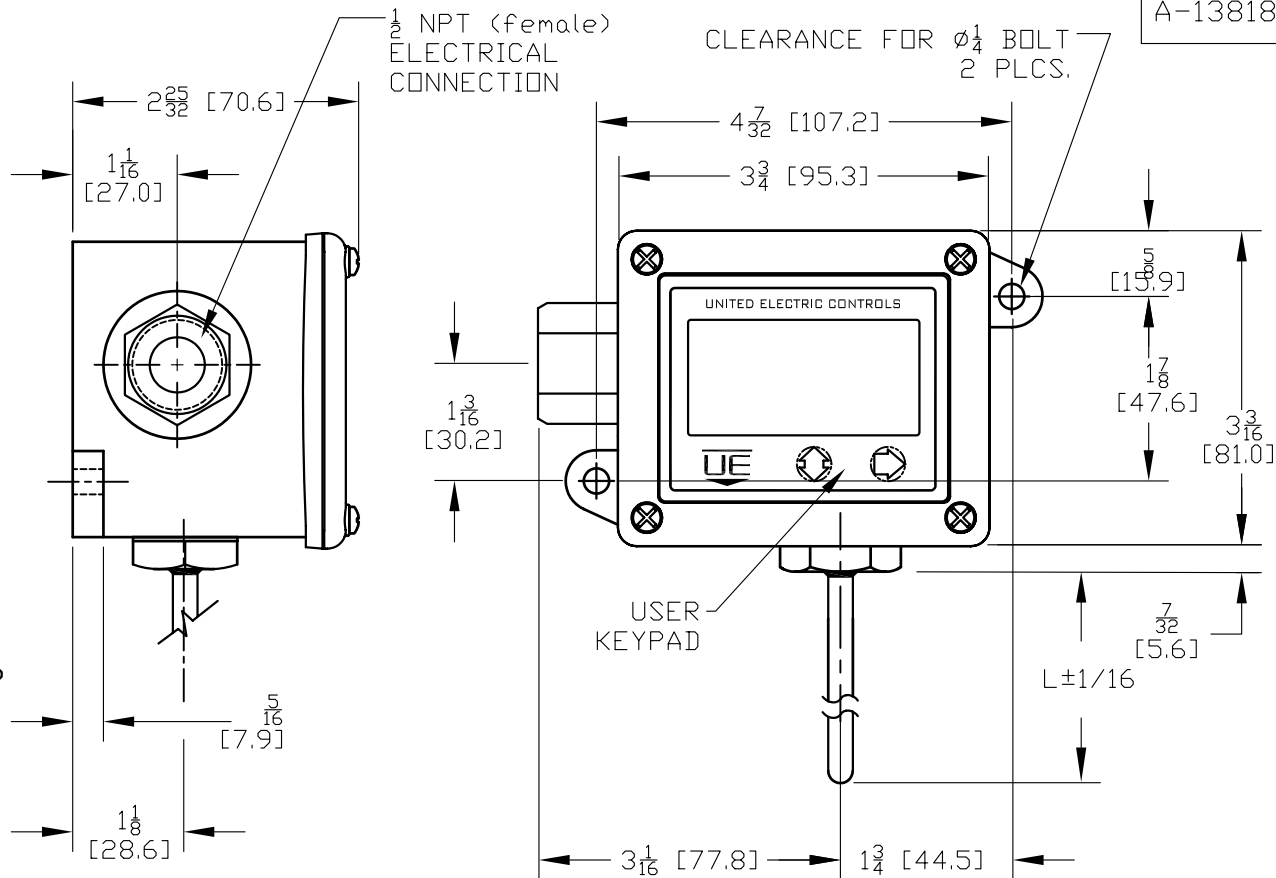
- WETTED MATERIALS: PROCESS CONNECTION - 316 st/st
- WEIGHT: 1.58 LBS. (0.71 kg)
- ENCLOSURE: TYPE 380 ALUMINUM; EPOXY POWDER COATED
- ELECTRICAL:
- ELECTRICAL CONNECTION:
- 4 POSITION TERMINAL BLOCK
- SWITCH SPECS.:
- 90 TO 130 VAC, 10A AT Tamb. 38°C (100°F)
- DERATE AT 1.8A PER 10°C (18°F)

OPERATING:

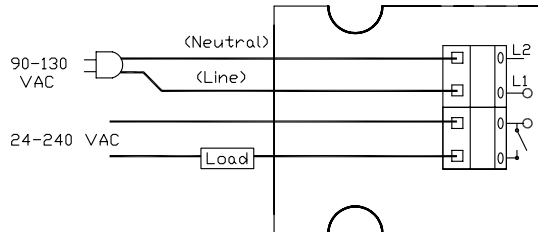
- OVERALL ACCURACY:
- ±1% OF MAX. OPERATING RANGE VALUE
- SET POINT REPEATABILITY:
- ±0.2% OF MAX. OPERATING RANGE VALUE
- LONG TERM STABILITY:
- ±0.25 OF RANGE PER YEAR, MAX.
- AMBIENT TEMPERATURE:
- OPERATING: -40°C TO 70°C (-40°F TO 158°F)
- LCD VISIBILITY TEMP: -12°C TO 70°C (10°F TO 158°F)
- STORAGE: -40°C TO 85°C (-40°F TO 185°F)
- MEDIA TEMPERATURE:
- 45°C TO 232°C (-50°F TO 450°F)
- REFER TO NAMEPLATE FOR OPERATING TEMPERATURE RANGE.

APPROVALS:

- NONINCENDIVE APPLICATIONS:
- UL LISTED, cUL CERTIFIED
- CLASS I, DIVISION 2, GROUPS A, B, C & D;
- CLASS II, DIVISION 2, GROUPS F & G;
- CLASS III;
- CLASS I, ZONE 2 AEx nC IIC T4A;
- CLASS I, ZONE 2 Ex nC IIC T4A;
- Tamb.=-40°C TO +70°C (-40°F TO 158°F)
- ENCLOSURE TYPE 4X



TERMINAL WIRING



**FOUR WIRE CONFIGURATION
USING ISOLATED (POTENTIAL FREE) SWITCH CONTACTS**

MODEL Lx	DIM "L"	
	In.	[mm]
L1	4	[102]
L2	6	[153]
L3	10	[254]

**AGENCY CRITICAL COMPONENT,
NO SUBSTITUTIONS ALLOWED
WITHOUT UEC ENGINEERING APPROVAL.**

SYM	DESCRIPTION	DATE	DWN	APPD
D	REVISED TITLE BLOCK INFO. ECN#E2723	6-2-08	SR	LK
C	ADDED OPERATING TEMPERATURE NOTE. ECN#E1165	3/21/05	PLW	D.W.
B	TERMINAL WIRING WAS IN CHART FORM. APPROVALS, T4A WAS T5. ECN# E0878	7/29/04	PLW	D.W.
A	FIRST ISSUE. ECN# E0809	5/27/04	PLW	D.W.

ORIGINAL DATE	5/27/04
DRWN	PLW
CHKD	A.B.
APPD	D.W.
UNLESS OTHERWISE SPECIFIED DIMENSIONS ARE IN INCHES	
DO NOT SCALE THIS DRAWING	

TITLE	ONE SERIES 4W3A01TLx LOCAL TEMPERATURE SINGLE SWITCH
SCALE	.5:1

DF001D

UNITED ELECTRIC
CONTROLS COMPANY
WATERTOWN * MASSACHUSETTS

DWG NO
A-13818