

SPECIFICATIONS:

(SPECIFICATIONS AT 25°C (77°F) AND NOMINAL VOLTAGE UNLESS OTHERWISE NOTED.)

MECHANICAL:

WETTED MATERIALS: PROCESS CONNECTION - 316 st/st
 WEIGHT: 1.40 LBS. (0.63 kg)
 ENCLOSURE: TYPE 380 ALUMINUM; EPOXY POWDER COATED;
 SHALL NOT CONTAIN, BY MASS MORE THAN 6% OF MAGNESIUM.

ELECTRICAL:

ELECTRICAL CONNECTION:
 4-20 mA LOOP: 2 POSITION TERMINAL BLOCK
 14-26 AWG WIRE
 SWITCH OUTPUT: 3 POSITION TERMINAL BLOCK
 14-22 AWG WIRE

RATING: 4-20 mA OUTPUT, 10-36 VDC @ 24 mA MAX

$$R_{L(max)} = \frac{(V_{in} - 9)}{0.024}$$

SWITCH OUTPUT:

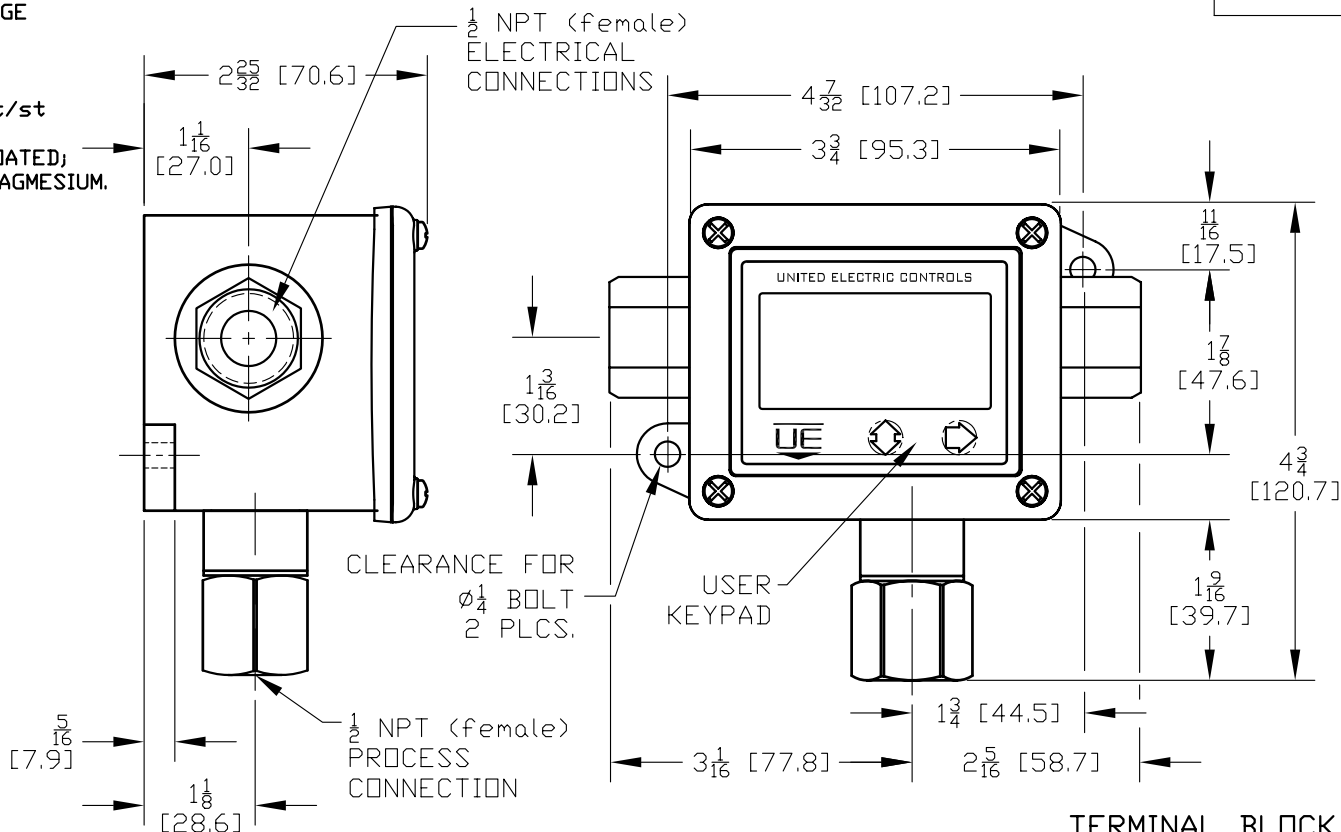
MODEL:
 2WLP41xxx 140 VAC/DC, 0.6 A MAX. CONT.,
 2 A PEAK (100 mSec)
 2WLP43xxx 280 VAC/DC, 0.3 A MAX. CONT.,
 1 A PEAK (100 mSec)
 (DERATE AT 8% PER 10°C OR 4.6% PER 10°F)

OPERATING:

OVERALL ACCURACY:
 ±1% OF MAX. OPERATING RANGE VALUE
 SET POINT REPEATABILITY:
 ±0.2% OF MAX. OPERATING RANGE VALUE
 LONG TERM STABILITY:
 ±0.25 OF RANGE PER YEAR, MAX.
 AMBIENT TEMPERATURE:
 OPERATING: -40°C TO 80°C (-40°F TO 176°F)
 LCD VISIBILITY TEMP: -12°C TO 80°C (10°F TO 176°F)
 STORAGE: -40°C TO 85°C (-40°F TO 185°F)
 MEDIA TEMPERATURE:
 -40°C TO 125°C (-40°F TO 257°F)

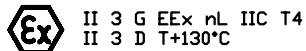
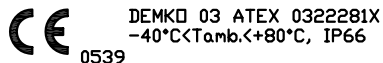
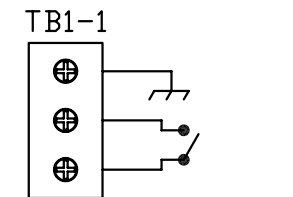
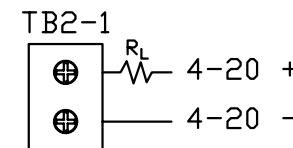
APPROVALS:

NONINCENDIVE APPLICATIONS:
 UL LISTED, cUL CERTIFIED
 CLASS I, DIVISION 2, GROUPS A, B, C, & D;
 CLASS II, DIVISION 2, GROUPS F & G;
 CLASS III;
 CLASS I, ZONE 2 AEx nC IIC T4;
 CLASS I, ZONE 2 Ex nC IIC T4;
 Tamb. = -40°C TO +80°C (-40°F TO +176°F)
 ENCLOSURE TYPE 4X



MODEL Pxx	OPERATING RANGE		MAX. OVER PRESSURE		BURST PRESSURE	
	LOW psi/bar	HIGH psi bar	psi	bar	psi	bar
P10	0	5	10	0,7	20	1,4
P11	0	15	30	2,1	60	4,1
P12	0	30	60	4,1	120	8,3
P13	0	50	100	6,9	200	13,8
P14	0	100	200	13,8	400	27,6
P15	0	300	600	41,4	1200	82,7
P16	0	500	1000	68,9	2000	137,9
P17	0	1000	2000	137,9	4000	275,8
P18	0	3000	6000	413,7	12000	827,4
P19	0	4500	9000	620,6	18000	1241,1

TERMINAL BLOCK



ORIGINAL DATE	5-3-05
DRWN	S. ROBAK
CHKD	AB
APPD	D. WILBUR

TITLE
 ONE SERIES
 2WLPxxPxx
 PRESSURE
 SINGLE SWITCH
 4-20 mA OUTPUT



DF001D

THIS DOCUMENT IS PROPRIETARY PROPERTY OF UNITED ELECTRIC CONTROLS. UNAUTHORIZED USE IS STRICTLY PROHIBITED.

E	REDRAWN; REVISED TITLE BLOCK INFO. ECN#E2723	6-24-08	SR	LK
SYM	DESCRIPTION	DATE	DWN	APPD
REVISIONS				

DO NOT SCALE THIS DRAWING

SCALE 1:2

DWG NO
 A-13834