

SPECIFICATIONS:

(SPECIFICATIONS AT 25°C (77°F) AND NOMINAL VOLTAGE UNLESS OTHERWISE NOTED.)

MECHANICAL:

- WETTED MATERIALS: PROCESS CONNECTION - 316 st/st
- WEIGHT: 1.40 LBS. (0.63 kg)
- ENCLOSURE: TYPE 380 ALUMINUM; EPOXY POWDER COATED

ELECTRICAL:

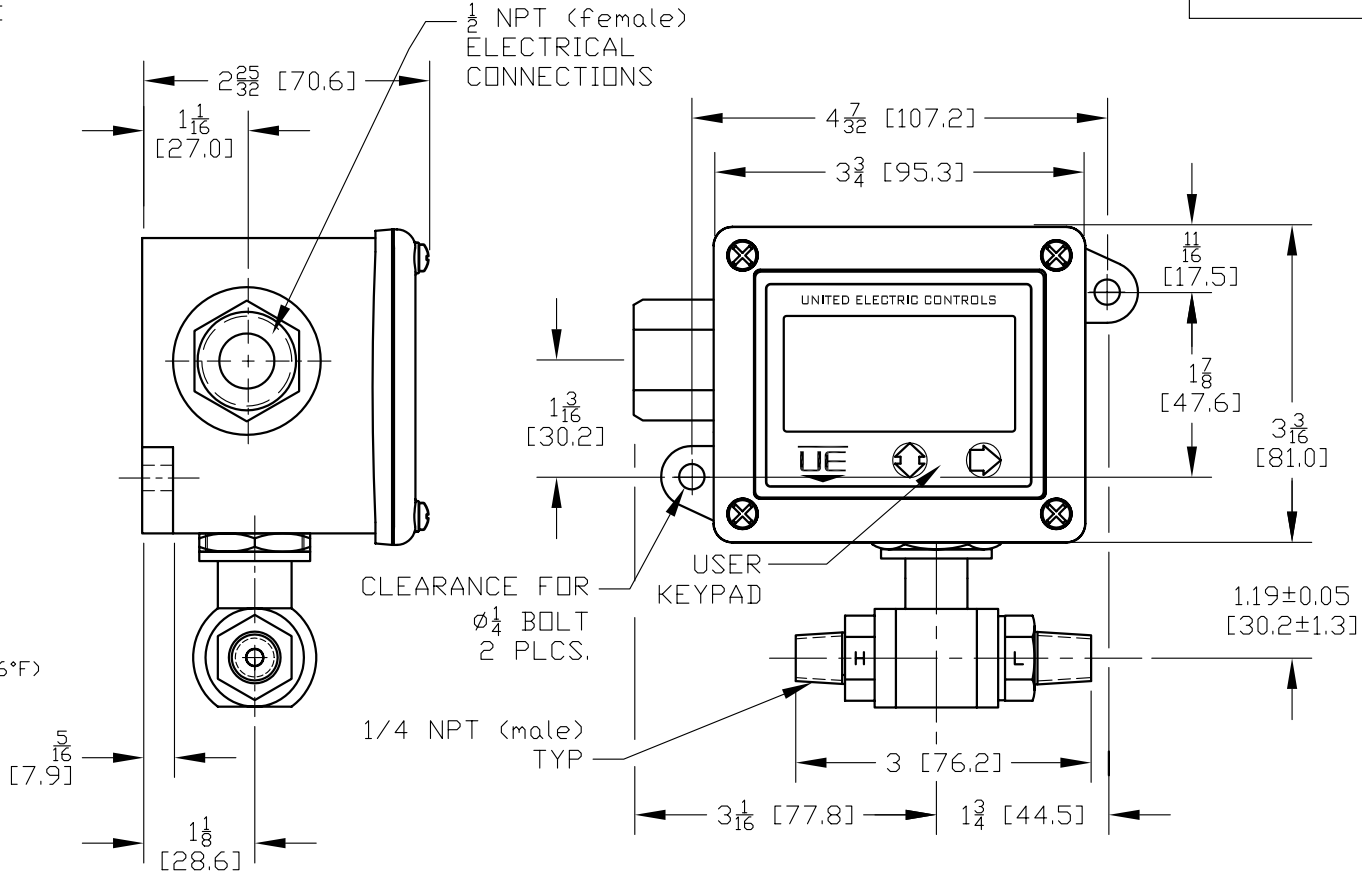
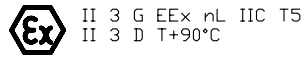
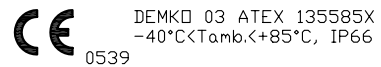
- ELECTRICAL CONNECTION: 3 POSITION TERMINAL BLOCK
- SWITCH SPECS.: OFF (OPEN): 90 TO 130 VOLTS AC/DC @ 1mA MAX. ON (CLOSED): 12 VOLTS AC/DC @ 100mA MAX.
- SWITCH PROTECTION: SHORT CIRCUIT OVER-VOLTAGE: 150V

OPERATING:

- OVERALL ACCURACY: ±1% OF MAX. OPERATING RANGE VALUE
- SET POINT REPEATABILITY: ±0.2% OF MAX. OPERATING RANGE VALUE
- LONG TERM STABILITY: ±0.25 OF RANGE PER YEAR, MAX.
- AMBIENT TEMPERATURE: OPERATING: -40°C TO 85°C (-40°F TO 185°F) LCD VISIBILITY TEMP: -12°C TO 80°C (10°F TO 176°F) STORAGE: -40°C TO 85°C (-40°F TO 185°F) COMPENSATED TEMPERATURE RANGE: 0°C TO 70°C (32°F TO 158°F) THERMAL OFFSET: ±0.5% THERMAL SENSITIVITY: ±0.75% MEDIA TEMPERATURE: -40°C TO 125°C (-40°F TO 257°F)

APPROVALS:

- NONINCENDIVE APPLICATIONS: UL LISTED, cUL CERTIFIED CLASS I, DIVISION 2, GROUPS A, B, C & D; CLASS II, DIVISION 2, GROUPS F & G; CLASS III; CLASS I, ZONE 2 AEx nC IIC T5; CLASS I, ZONE 2 Ex nC IIC T5; Tamb.=-40°C TO +85°C (-40°F TO 185°F) ENCLOSURE TYPE 4X



AGENCY CRITICAL COMPONENT, NO SUBSTITUTIONS ALLOWED WITHOUT UEC ENGINEERING APPROVAL.

MODEL Kxx	OPERATING RANGE		MAX. OVER PRESSURE	MAX. WORKING PRESSURE		
	LOW	HIGH		psi	bar	
K10	0	5	10	0,7	50	3,4
K11	0	50	100	6,9	500	34,5
K12	0	100	200	13,8	1000	69,0
K13	0	200	400	27,6	1000	69,0

TERMINAL BLOCK
FUNCTION
SWITCH OUTPUT
EARTH/CHASSIS GROUND
SWITCH OUTPUT

THIS DOCUMENT IS PROPRIETARY PROPERTY OF UNITED ELECTRIC CONTROLS. UNAUTHORIZED USE IS STRICTLY PROHIBITED.

SYM	DESCRIPTION	DATE	DWN	APPD
D	REVISED TITLE BLOCK INFO. ECN#E2723	6-2-08	SR	LK
C	3" DIM. WAS 3-17/32 & 1.19 WAS 15/16. ADDED THERMAL OFFSET & THERMAL SENSITIVITY. ECN# E2475	10/10/07	PLW	D.W.
B	DELETED SCHEMATIC SYMBOLS FROM TERMINAL BLOCK CHART. ECN#E2231	4-6-07	SR	IM
A	FIRST ISSUE. ECN#E1210	5-26-05	SR	HN

ORIGINAL DATE	5-26-05
DRWN	S. ROBAK
CHKD	AB
APPD	HN
UNLESS OTHERWISE SPECIFIED DIMENSIONS ARE IN INCHES TOLERANCES ON FRACTIONS ±1/64 2 PLACE DEC 3 PLACE DEC ANGLES ±0.010 ±0.005 ±1/2° DO NOT SCALE THIS DRAWING	

TITLE
ONE SERIES
2W3A00Kxx
DIFFERENTIAL
PRESSURE
SINGLE SWITCH
SCALE 1:2

DF001D
 UNITED ELECTRIC CONTROLS COMPANY WATERTOWN * MASSACHUSETTS
DWG NO
A-13840