

SPECIFICATIONS:

(SPECIFICATIONS AT 25°C (77°F) AND NOMINAL VOLTAGE UNLESS OTHERWISE NOTED.)

MECHANICAL:

WETTED MATERIALS: 316 st/st
 WEIGHT: 1.40 LBS. (0.63 kg)
 ENCLOSURE: TYPE 380 ALUMINUM; EPOXY POWDER COATED;
 SHALL NOT CONTAIN, BY MASS MORE THAN 6% OF MAGNESIUM.

ELECTRICAL:

ELECTRICAL CONNECTION:
 24 VDC POWER SUPPLY: 3 POSITION TERMINAL BLOCK
 (BROWN) 12-22 AWG WIRE

4-20 mA LOOP: 2 POSITION TERMINAL BLOCK
 (GREEN) 14-26 AWG WIRE

SWITCH OUTPUTS: 5 POSITION TERMINAL BLOCK
 (GRAY) 14-22 AWG WIRE

RATING: 4-20 mA OUTPUT, 10-36 VDC @ 24 mA MAX

$$R_{L(max)} = \frac{(V_{in} - 9)}{0.024}$$

SWITCH OUTPUT RATINGS:

- 8W2D42xxx SW1: 75-250 VAC, 1.5 A MAX. CONT.,**
 SW2: 75-250 VAC, 1.5 A MAX. CONT.,**
- 82WD44xxx SW1: 75-250 VAC, 1.5 A MAX. CONT.,**
 SW2: 140 VAC/DC, 0.6 A MAX. CONT.*
- 8W2D45xxx SW1: 140 VAC/DC, 0.6 A MAX. CONT.,*
 SW2: 140 VAC/DC, 0.6 A MAX. CONT.,*
- * 2 A PEAK (100 mSec), DERATE AT 8% PER 10°C
 OR 4.6% PER 10°F, NO MIN. LOAD
- ** 50 A PEAK (100 mSEC), DERATE AT 8% PER 10°C
 OR 4.6% PER 10°F, MIN. LOAD 50mA

OPERATING:

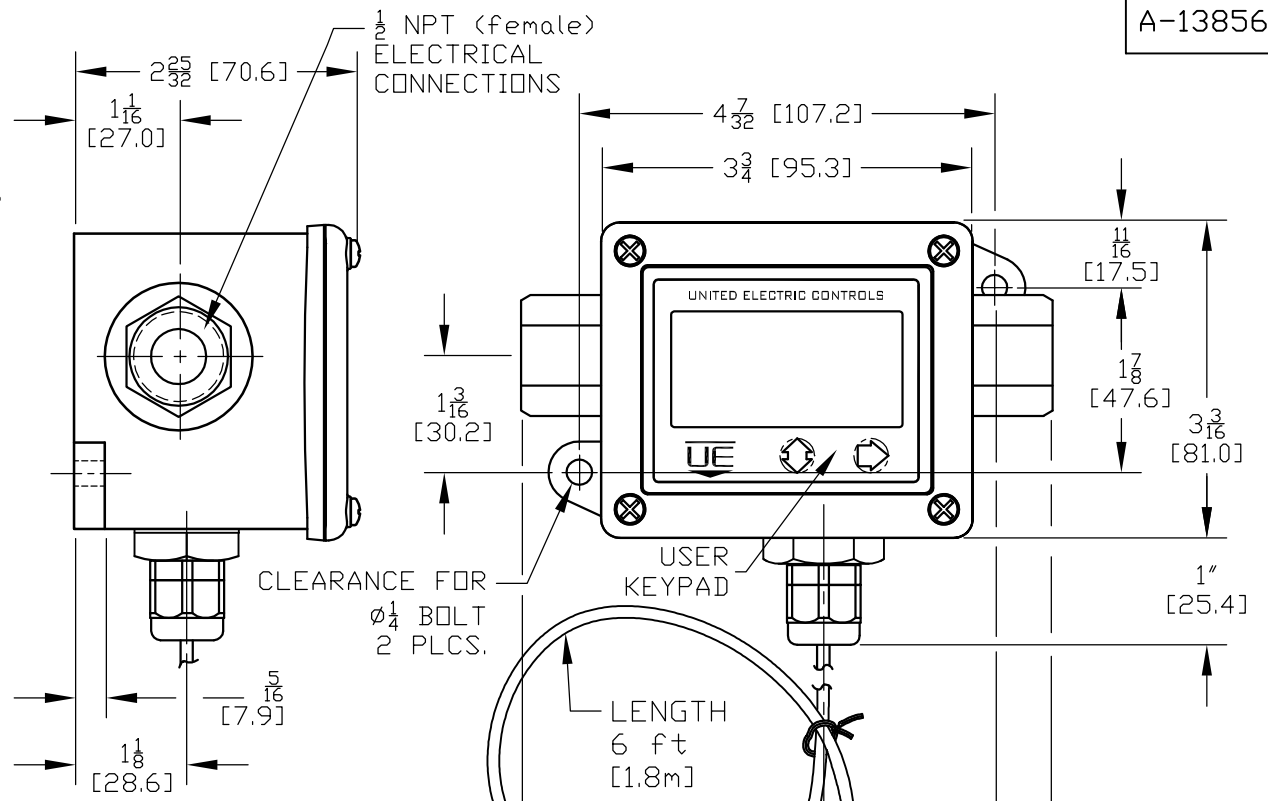
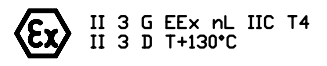
- OVERALL ACCURACY:
 ±1% OF MAX. OPERATING RANGE VALUE
- SET POINT REPEATABILITY:
 ±0.2% OF MAX. OPERATING RANGE VALUE
- LONG TERM STABILITY:
 ±0.25% OF RANGE PER YEAR, MAX.
- AMBIENT TEMPERATURE:
 OPERATING: -40°C TO 80°C (-40°F TO 176°F)
 LCD VISIBILITY TEMP: -12°C TO 80°C (10°F TO 176°F)
 STORAGE: -40°C TO 85°C (-40°F TO 185°F)
- MEDIA TEMPERATURE:
 -45°C TO 232°C (-50°F TO 450°F)

REFER TO NAMEPLATE FOR SPECIFIC OPERATING TEMP. RANGE.

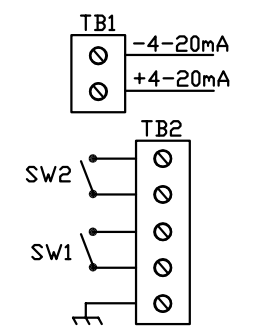
APPROVALS:

- NONINCENDIVE APPLICATIONS:
 UL LISTED, cUL CERTIFIED
- CLASS I, DIVISION 2, GROUPS A, B, C, & D;
- CLASS II, DIVISION 2, GROUPS F & G;
- CLASS III;
- CLASS I, ZONE 2 AEx nC IIC T4;
- CLASS I, ZONE 2 Ex nC IIC T4;
- Tamb. = -40°C TO +80°C (-40°F TO +176°F)
- ENCLOSURE TYPE 4X

CE 0539 DEMKO 03 ATEX 0322281X
 -40°C < Tamb. < +80°C, IP66



TERMINAL BLOCK



MODEL Rx	LENGTH
R1	6'
RC	0-30'

ORIGINAL DATE	11/22/05
DRWN	PLW
CHKD	A.B.
APPD	D.W.
UNLESS OTHERWISE SPECIFIED DIMENSIONS ARE IN INCHES	
DO NOT SCALE THIS DRAWING	

TITLE	ONE SERIES 8W2DxxTRx REMOTE LOW TEMPERATURE DUAL SWITCH 4-20 mA OUTPUT
SCALE	1:2

DF001D
UNITED ELECTRIC CONTROLS COMPANY WATERTOWN * MASSACHUSETTS
DWG NO A-13856

SYM	DESCRIPTION	DATE	DWN	APPD
C	CHANGED TERMINAL BLOCK ORIENTATION. ECN#E4119	8/8/11	MJF	DW
B	REVISED TITLE BLOCK INFO. ECN#E2723	6-24-08	SR	LK
A	FIRST ISSUE. ECN#E1487	11/22/05	PLW	D.W.
REVISIONS				

THIS DOCUMENT IS PROPRIETARY PROPERTY OF UNITED ELECTRIC CONTROLS. UNAUTHORIZED USE IS STRICTLY PROHIBITED.