

SPECIFICATIONS:

(SPECIFICATIONS AT 25°C (77°F) AND NOMINAL VOLTAGE UNLESS OTHERWISE NOTED.)

MECHANICAL:

WETTED MATERIALS: 316 st/st, 304 st/st CABLE
 WEIGHT: 1.40 LBS. (0.63 kg)
 ENCLOSURE: TYPE 380 ALUMINUM; EPOXY POWDER COATED;
 SHALL NOT CONTAIN, BY MASS MORE THAN 6% OF MAGNESIUM.

ELECTRICAL:

ELECTRICAL CONNECTION:

24 VDC POWER SUPPLY: 3 POSITION TERMINAL BLOCK
 (BROWN) 12-22 AWG WIRE

4-20 mA LOOP: 2 POSITION TERMINAL BLOCK
 (GREEN) 14-26 AWG WIRE

SWITCH OUTPUTS: 5 POSITION TERMINAL BLOCK
 (GRAY) 14-22 AWG WIRE

RATING: 4-20 mA OUTPUT, 10-36 VDC @ 24 mA MAX

$$R_{L(max)} = \frac{(V_{In} - 9)}{0.024}$$

SWITCH OUTPUT RATINGS:

8W2D42xxx SW1: 75-250 VAC, 1.5 A MAX. CONT.,**

SW2: 75-250 VAC, 1.5 A MAX. CONT.,**

82WD44xxx SW1: 75-250 VAC, 1.5 A MAX. CONT.,**

SW2: 140 VAC/DC, 0.6 A MAX. CONT.*

8W2D45xxx SW1: 140 VAC/DC, 0.6 A MAX. CONT.,*

SW2: 140 VAC/DC, 0.6 A MAX. CONT.,*

* 2 A PEAK (100 mSec). DERATE AT 8% PER 10°C
 OR 4.6% PER 10°F, NO MIN. LOAD

** 50 A PEAK (100 mSEC), DERATE AT 8% PER 10°C
 OR 4.6% PER 10°F, MIN. LOAD 50mA

OPERATING:

OVERALL ACCURACY:

±1% OF MAX. OPERATING RANGE VALUE

SET POINT REPEATABILITY:

±0.2% OF MAX. OPERATING RANGE VALUE

LONG TERM STABILITY:

±0.25% OF RANGE PER YEAR, MAX.

AMBIENT TEMPERATURE:

OPERATING: -40°C TO 80°C (-40°F TO 176°F)

LCD VISIBILITY TEMP: -12°C TO 80°C (10°F TO 176°F)

STORAGE: -40°C TO 85°C (-40°F TO 185°F)

MEDIA TEMPERATURE:

-184°C TO 538°C (-300°F TO 1000°F)

REFER TO NAMEPLATE FOR SPECIFIC OPERATING TEMP. RANGE.

APPROVALS:

NONINCENDIVE APPLICATIONS:

UL LISTED, cUL CERTIFIED

CLASS I, DIVISION 2, GROUPS A, B, C, & D;

CLASS II, DIVISION 2, GROUPS F & G;

CLASS III;

CLASS I, ZONE 2 AEx nC IIC T4;

CLASS I, ZONE 2 Ex nC IIC T4;

Tamb. = -40°C TO +80°C (-40°F TO +176°F)

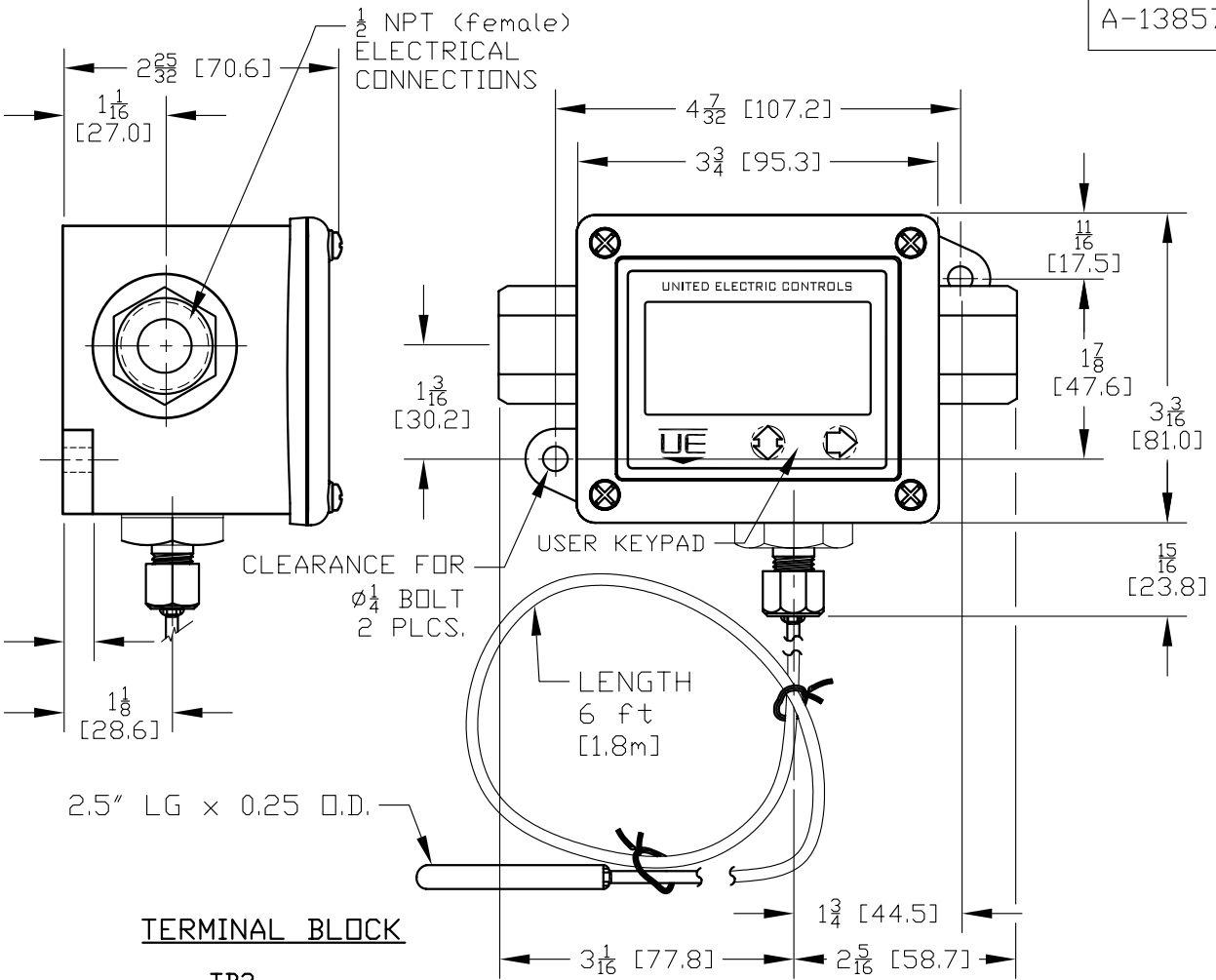
ENCLOSURE TYPE 4X



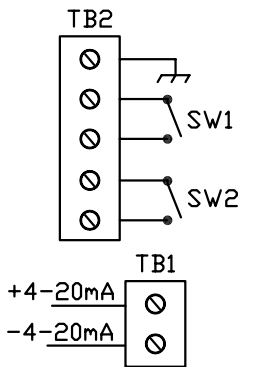
DEMKO 03 ATEX 0322281X
 -40°C < Tamb. < +80°C, IP66



II 3 G EEEx nL IIC T4
 II 3 D T+130°C



TERMINAL BLOCK



MODEL Txx	LENGTH	OPER. RANGE
TH1	6'	-50 TO 1000°F
THC	0-30'	
TC1	6'	-300 TO 200°F
TCC	0-30'	

ORIGINAL DATE	11/22/05
DRWN	PLW
CHKD	A.B.
APPD	D.W.
UNLESS OTHERWISE SPECIFIED DIMENSIONS ARE IN INCHES	
DO NOT SCALE THIS DRAWING	

TITLE
ONE SERIES
 8W2DxxTxx
 REMOTE
 CRYOGENIC/
 HIGH TEMPERATURE
 DUAL SWITCH
 4-20 mA OUTPUT

DF001D

UNITED ELECTRIC
 CONTROLS COMPANY
 WATERTOWN * MASSACHUSETTS

DWG NO
A-13857

SCALE 1:2

SYM	DESCRIPTION	DATE	DWN	APPD
B	REVISED TITLE BLOCK INFO. ADDED OPER. RANGE TO CHART. ECN#E2723	6-24-08	SR	LK
A	FIRST ISSUE. ECN#E1487	11/22/05	PLW	D.W.
REVISIONS				

THIS DOCUMENT IS PROPRIETARY PROPERTY OF
 UNITED ELECTRIC CONTROLS.
 UNAUTHORIZED USE IS STRICTLY PROHIBITED.