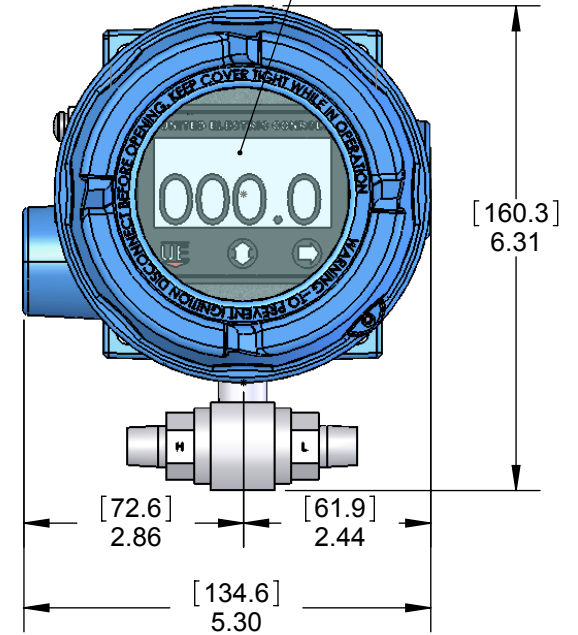


DISPLAY CAN BE ROTATED UP TO 180° BOTH DIRECTIONS

A-13928



**SPECIFICATIONS:**

**MECHANICAL:**

WETTED MATERIALS: 316 STAINLESS STEEL  
ENCLOSURE: TYPE 360 ALUMINUM; EPOXY POWDER COATED

**ELECTRICAL:**

ELECTRICAL CONNECTION:  
3 POSITION TERMINAL BLOCK, 22-14 AWG Max

**SWITCH SPECS:**

POWER INPUT: 2 WIRE 120 V DISCRETE INPUT POWERED (90-130 VAC/VDC) @ 1mA  
SWITCH OUTPUT: 90 TO 130 VAC/VDC @ 0.1A, 3.75mA MIN. LOAD REQUIRED  
SWITCH STATE MAX : 90-130 VAC/VDC @ 1mA (V. OPEN)  
13 VAC/VDC @ 100mA (V. CLOSED)

**APPROVALS:**

cULus LISTED  
CLASS I, DIVISION 1, GROUPS A, B, C & D;  
CLASS II, DIVISION 1, GROUPS E, F & G; CLASS III  
CLASS I, ZONE 1, AEx d IIC T5; CLASS 1, ZONE 1, Ex d IIC T5  
Tamb = -40°C TO +85°C (-40°F TO 185°F)  
ENCLOSURE TYPE 4X; IP66

ATEX APPROVED  
II 2 G Ex d IIC T5  
II 2 D Ex tD A21 IP66 T+90C  
DEMKO 09 ATEX 0813748X  
Tamb = -40°C TO +85°C (-40°F TO 185°F)

IECEX APPROVED  
IECEX UL 08.0017  
Ex d IIC T5  
Ex tD A21 IP66 T+90C  
Tamb = -40°C TO +85°C (-40°F TO 185°F)

MODEL XXX	OPERATING RANGE			MAX. OVER PRESSURE		MAX. WORKING PRESSURE	
	LOW psi/bar	HIGH psi	bar	psi	bar	psi	bar
K10	0	5	0.3	10	0.7	50	3.4
K11	0	50	3.4	100	6.9	500	34.5
K12	0	100	6.9	200	13.8	1500	68.9
K13	0	200	13.8	400	27.6	1500	68.9

THIS DOCUMENT IS PROPRIETARY PROPERTY OF UNITED ELECTRIC CONTROLS. UNAUTHORIZED USE IS STRICTLY PROHIBITED.

REV.	DESCRIPTION	DATE	DRWN	APPD
A	FIRST ISSUE. ECN#E3133	4-7-09	RAM	RAM

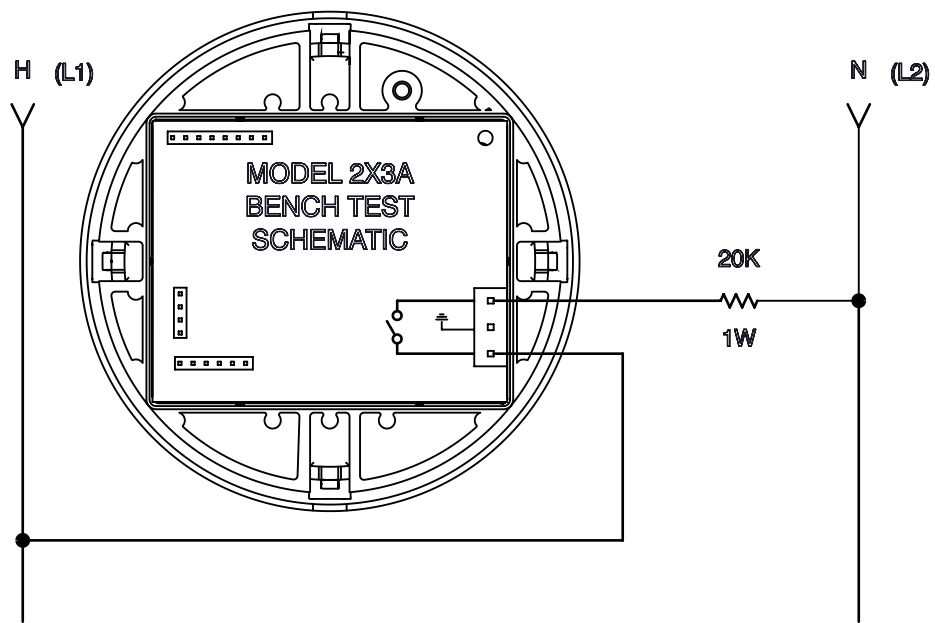
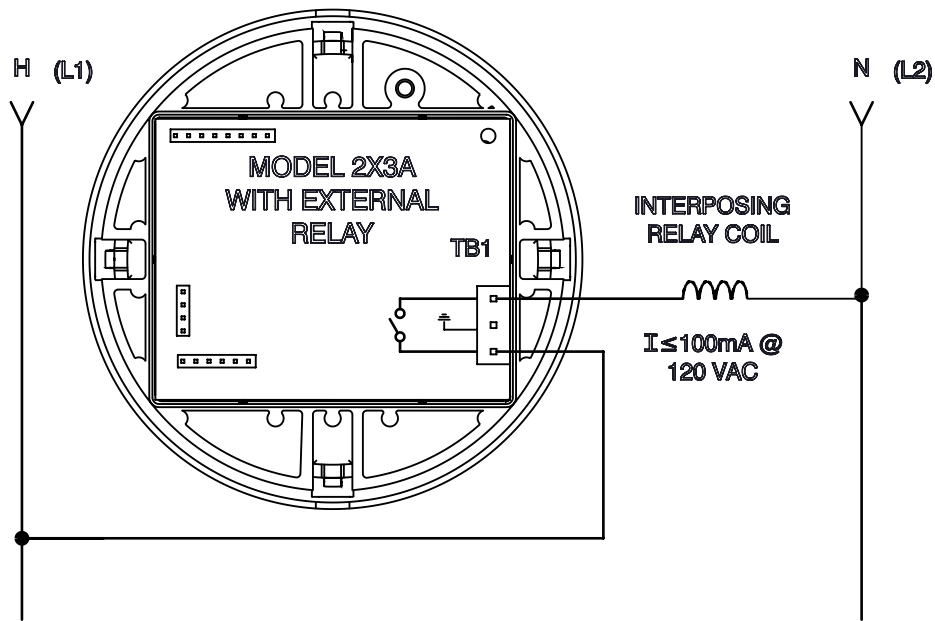
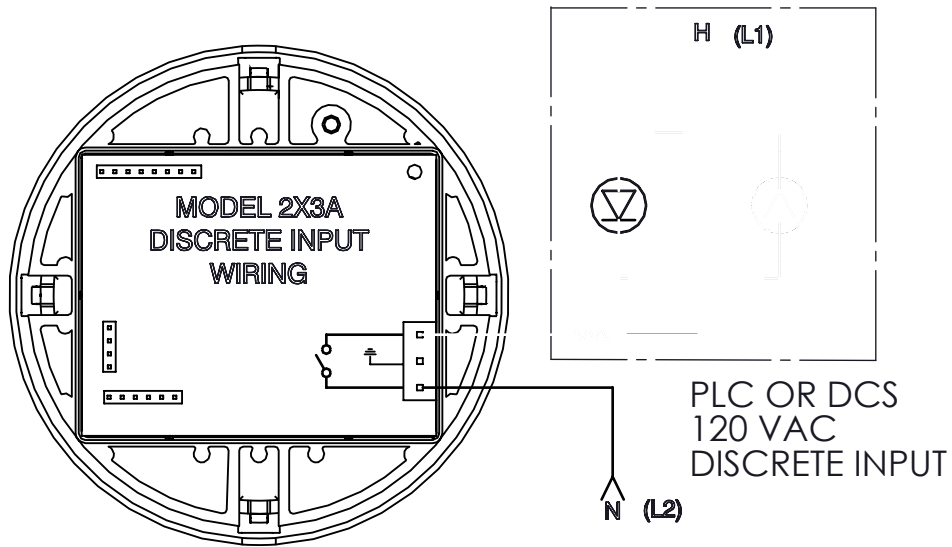
ORIGINAL DATE	4-7-09
DRWN	RAM
CHKD	PLW
APPD	R. McCAREY
UNLESS OTHERWISE SPECIFIED DIMENSIONS ARE IN INCHES TOLERANCES ON FRACTIONS ±1/64 2 PLACE DEC 3 PLACE DEC ANGLES ±0.010 ±0.005 ±1/2°	
DO NOT SCALE THIS DRAWING	

TITLE  
**2X3A DIFF. PRESSURE SWITCH**

USED ON:  
SCALE 1:1

**UE**  
UNITED ELECTRIC CONTROLS COMPANY  
WATERTOWN \* MASSACHUSETTS  
DWG NO Page 1 of 2  
**A-13928**

RECOMMENDED WIRING SCHEMES



ORIGINAL DATE	4-7-09
DRWN	RAM
CHKD	PLW
APPD	R. McCAREY
UNLESS OTHERWISE SPECIFIED DIMENSIONS ARE IN INCHES TOLERANCES ON FRACTIONS $\pm 1/64$ 2 PLACE DEC 3 PLACE DEC ANGLES $\pm 0.010$ $\pm 0.005$ $\pm 1/2^\circ$	
DO NOT SCALE THIS DRAWING	

TITLE	2X3A DIFF. PRESSURE SWITCH
USED ON:	
SCALE	1:1

UNITED ELECTRIC  
CONTROLS COMPANY  
WATERTOWN \* MASSACHUSETTS

DWG NO  Page 2 of 2

A-13928

THIS DOCUMENT IS PROPRIETARY PROPERTY OF  
UNITED ELECTRIC CONTROLS.  
UNAUTHORIZED USE IS STRICTLY PROHIBITED.

A	FIRST ISSUE. ECN#E3133	4-7-09	RAM	RAM
REV.	DESCRIPTION	DATE	DRWN	APPD

DOC # DE733010102 Rev A